

[Info]
PcNo=Y00B4192
PcName=3TNC78L-RKAH(V2)
JpnUse=1
JpnSec1=fGf`fWf`
JpnSec2=-§ -
JpnSec3=TNC
JpnPreface=0
EngUse=1
EngSec1=ENGINE
EngSec2=SMALL VERTICAL (V)
EngSec3=TNC
EngPreface=0

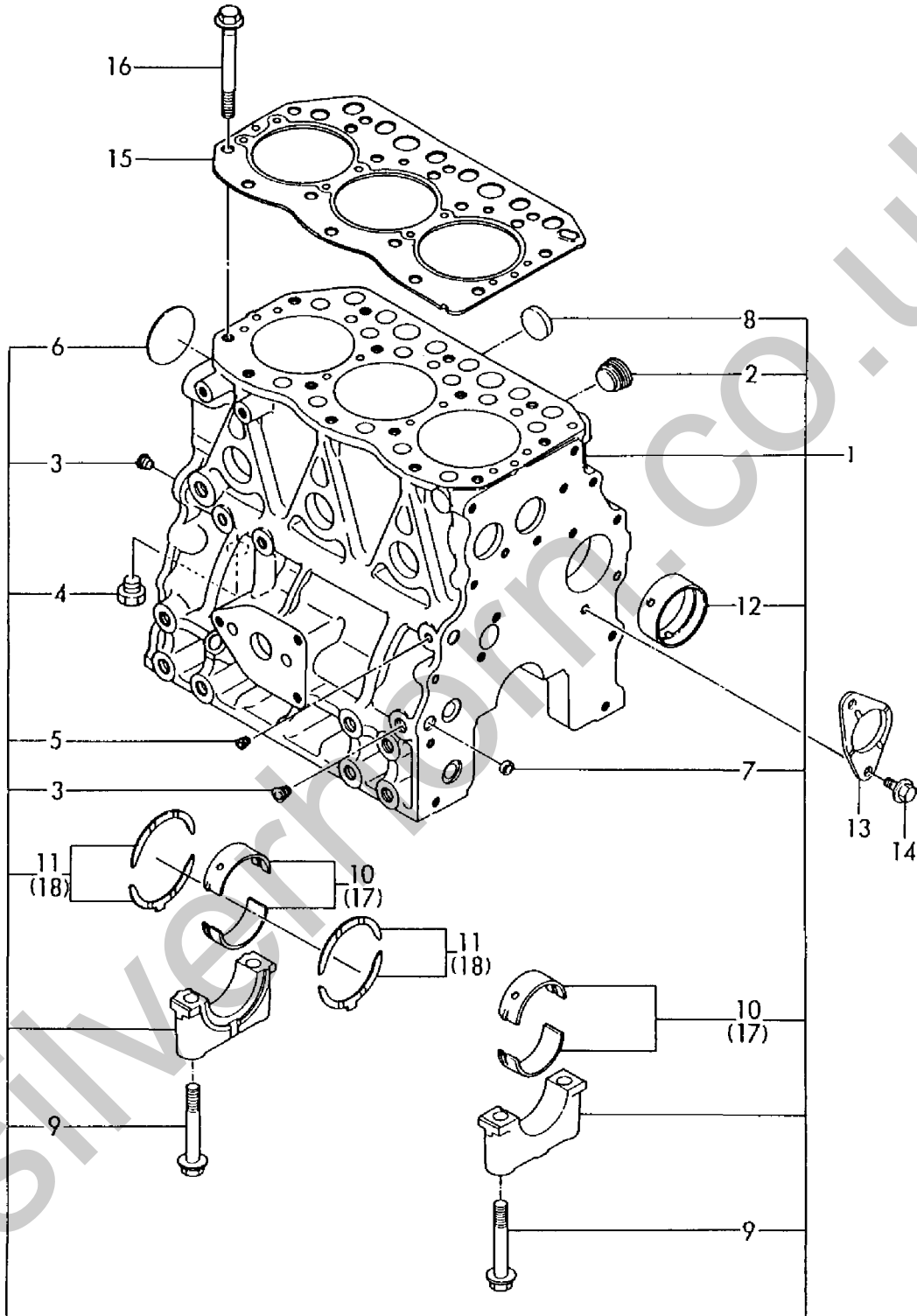
Silverhorn.CO.UK

1,1,,719811-01560,, "BLOCK ASSY, CYLINDER",1,,,,,,,,,,,,,
2,2,,171051-01921,, PLUG,1,,,,,,,,,,,,,
3,2,,124160-01910,, "PLUG PT1/4",2,,,,,,,,,,,,,
4,2,,23887-120002,, "PLUG 12,HEX.",1,,,,,,,,,,,,,
5,2,,23871-010000,, "PLUG PT1/8,SCREW",1,,,,,,,,,,,,,
6,2,,27231-500000,, "PLUG 50",1,,,,,,,,,,,,,
7,2,,27241-120000,, "PLUG 12",2,,,,,,,,,,,,,
8,2,,27241-300000,, "PLUG 30",6,,,,,,,,,,,,,
9,2,,119620-02020,, BOLT,8,,,,,,,,,,,,,
10,2,,719810-02800,, "MAIN BEARING",4,,,,,,,,,,,,,
11,2,,719810-02930,, "BEARING, THRUST",2,,,,,,,,,,,,,
12,2,,129795-02411,, "BUSH, CAMSHAFT",1,,,,,,,,,,,,,
13,1,,129150-02450,, "BEARING, THRUST",1,,,,,Z,,EXXX,,,,,
14,1,,26106-080162,, "BOLT M 8X 16 PLATED",2,,,,,,,,,,,,,
15,1,,119811-01330,, "GASKET,CYL.HEAD",1,,,,,,,\$,,,,,
16,1,,119810-01200,, "BOLT, CYL. HEAD",14,,,,,,,,,,,,,
17,1,,119810-02870,, "MAIN BEARING 0.25U.S",4,,,,,,1,,,,,
18,1,,119810-02940,, "BEARING,THRUST.250.S",2,,,,,,2,,,,,

Silverhorn.CO.UK

Fig. 1 シリンダブロック
CYLINDER BLOCK

D19811-01100
D19865-02100
D29129-02200

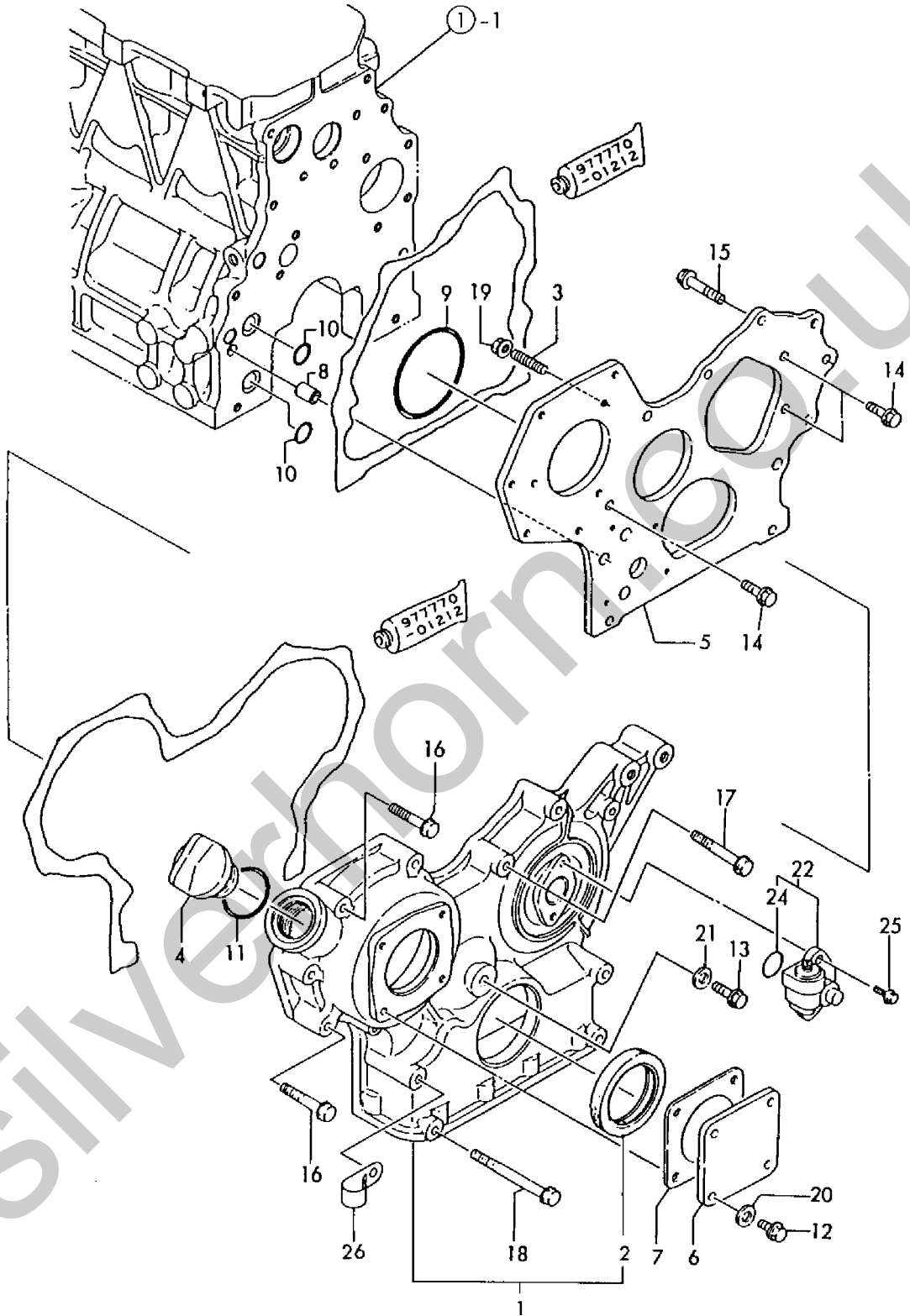


1,1,,719810-01500,, "HOUSING ASSY, GEAR",1,,,,,W,,E05386,,,,,
 2,2,,129795-01800,, "SEAL, OIL",1,,,,,
 3,1,,121450-01560,, "STUD M 8X 22",3,,,,,
 4,1,,124160-01751,, "CAP, LUB.OIL SUPPLY",1,,,,,
 5,1,,129400-01520,, "FLANGE,GEARS HOUSING",1,,,,,
 6,1,,124240-01871,, "COVER, HO-P",1,,,,,
 7,1,,124240-01882,, "GASKET, HO-P",1,,,,,\$,,,,,
 7-1,1,,124240-01883,, "GASKET, (NON-ASB.)",1,,,,,R,\$,,E00311,,,,,
 8,1,,129795-01950,, "PIPE, KNOCK L=18",2,,,,,
 9,1,,121850-51960,, "O-RING, F.I.PUMP",1,,,,,\$,,,,,
 10,1,,24311-000160,, "O-RING 1A P-16.0",2,,,,,
 11,1,,24311-000320,, "O-RING 1A P-32.0",1,,,,,\$,,,,,
 12,1,,26106-080122,, "BOLT M 8X 12 PLATED",4,,,,,
 13,1,,26106-080162,, "BOLT M 8X 16 PLATED",1,,,,,
 14,1,,26106-080162,, "BOLT M 8X 16 PLATED",3,,,,,
 15,1,,26106-080202,, "BOLT M 8X 20 PLATED",2,,,,,
 16,1,,26106-080452,, "BOLT M 8X 45 PLATED",6,,,,,
 17,1,,26106-080552,, "BOLT M 8X 55 PLATED",3,,,,,
 18,1,,26106-080852,, "BOLT M 8X 85 PLATED",4,,,,,
 19,1,,26366-080002,, "NUT M 8",3,,,,,
 20,1,,43400-500410,, "SEAL WASHER 8S",4,,,,,
 21,1,,43400-500410,, "SEAL WASHER 8S",1,,,,,
 22,1,,129150-91400,, "GEAR UNIT,TACHOMETER",1,,,,,
 24,2,,24341-000240,, "O-RING 1A S-24.0",1,,,,,
 25,1,,26106-060162,, "BOLT M 6X 16 PLATED",2,,,,,
 26,1,,129150-03100,, "RETAINER",1,,,,,W,,E00659,,,,,

Silverhorn.CO.UK

Fig. 2 ギヤケース
GEAR HOUSING

D29400-01220
D29150-91100



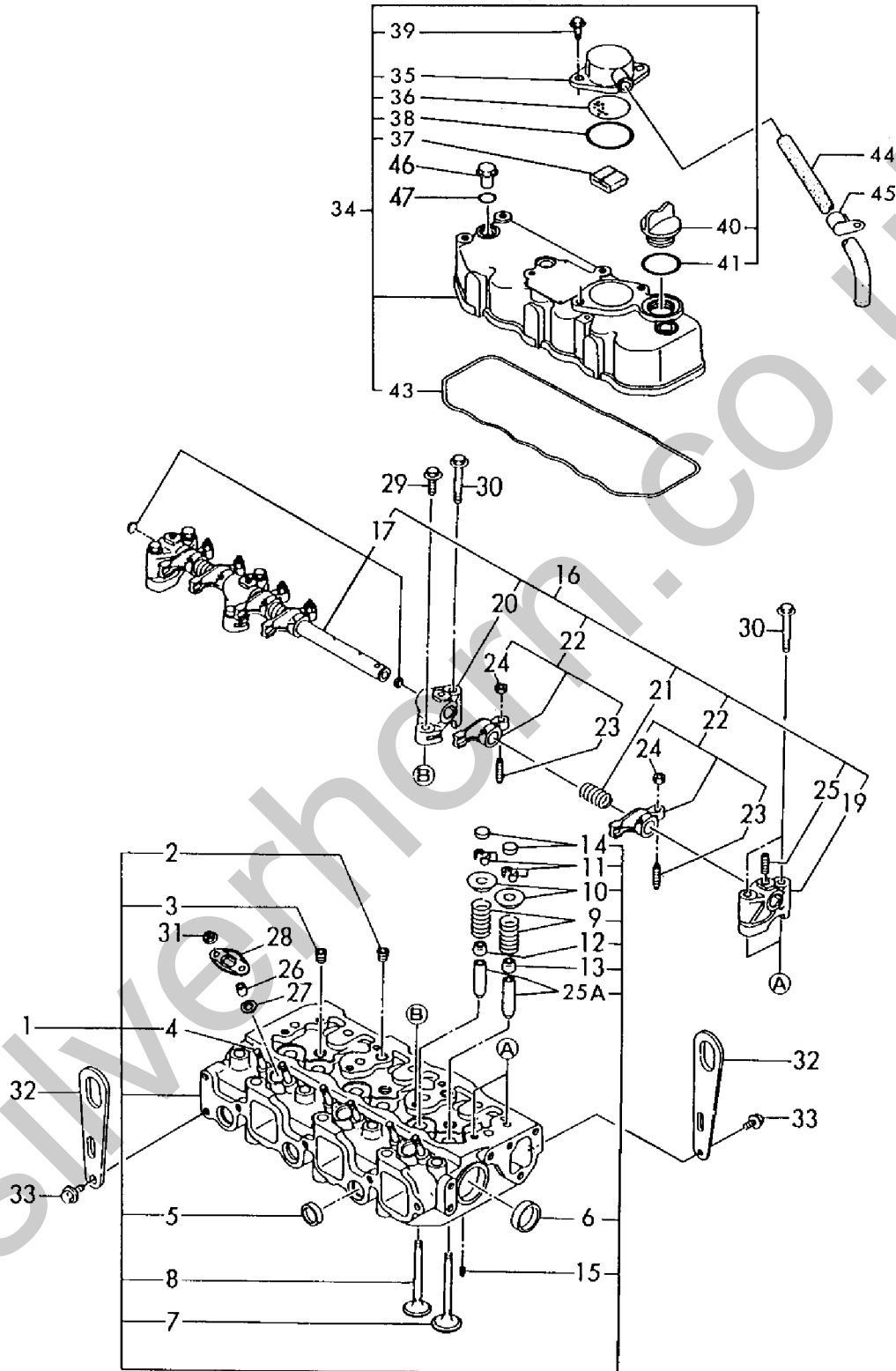
1,1,,129100-01580,, "PARALLEL PIN 8X 16",2,,,,,,,,,,,,,
2,1,,171301-01600,, "HOUSING, FLYWHEEL",1,,,,,,,,,,,,,
3,1,,119620-01750,, "CAP, FLYWHEEL COVER",1,,,,,,,,,,,,,
4,1,,26206-100252,, "BOLT M10X25",6,,,,,,,,,,,,,
5,1,,26206-100302,, "BOLT M10X30",4,,,,,,,,,,,,,
6,1,,719843-01540,, "SUMP ASSY, LUB. OIL",1,,,,,,,,,,,,,
6-1,1,,119843-01780,, "SUMP ASSY, LUB. OIL",1,,,,,R,,E00659,,,,,
7,2,,171301-01640,, "PLUG M22",1,,,,,,,,,,,,,
9,2,,24341-000240,, "O-RING 1A S-24.0",1,,,,,,,,,,,,,
10,1,,119810-01730,, "SPACER, L.O. SUMP",1,,,,,,,,,,,,,
11,1,,26106-080162,, "BOLT M 8X 16 PLATED",6,,,,,,,,,,,,,
12,1,,26106-080452,, "BOLT M 8X 45 PLATED",22,,,,,,,,,,,,,
13,1,,129100-01580,, "PARALLEL PIN 8X 16",2,,,,,,,,,,,,,
13A,1,,119860-01640,, "CASE ASSY, OIL SEAL",1,,,,,W,,E00659,,,,,
13A-1,1,,719810-01650,, "CASE ASSY, OIL SEAL",1,,,,,N,,E05386,,,,,
15,2,,119810-01780,, "SEAL, OIL",1,,,,,,,,,,,,,
16,1,,26106-080302,, "BOLT M 8X 30 PLATED",6,,,,,,,,,,,,,
17,1,,26106-080352,, "BOLT M 8X 35 PLATED",3,,,,,,,,,,,,,

Silverhorn.CO.UK

1,1,,719810-11700,, "HEAD ASSY, CYLINDER",1,,,,,,,,,,,,,
 1-1,1,,719811-11700,, "HEAD ASSY, CYLINDER",1,,,,,,N,,E00237,,,,,
 2,2,,121850-11860,, "PLUG PT1/4",2,,,,,,,,,,,,,
 3,2,,23871-030000,, "PLUG PT3/8,SCREW",3,,,,,,,,,,,,,
 4,2,,26216-060302,, "STUD M 6X 30 PLATED",6,,,,,,,,,,,,,
 5,2,,27241-220000,, "PLUG 22",3,,,,,,,,,,,,,
 6,2,,27241-400000,, "PLUG 40",2,,,,,,,,,,,,,
 7,2,,119810-11100,, "VALVE, SUCTION",3,,,,,,,,,,,,,
 8,2,,119810-11110,, "VALVE, EXHAUST",3,,,,,,,,,,,,,
 9,2,,119810-11120,, "SPRING, VALVE",6,,,,,,,,,,,,,
 10,2,,104211-11180,, "RETAINER, SPRING",6,,,,,,,,,,,,,
 11,2,,101158-11190,, "COTTER",6,,,,,,,,,,,,,
 12,2,,124950-11340,, "SEAL, VALVE STEM",3,,,,,,,\$,,,,,
 13,2,,124160-11340,, "SEAL, VALVE STEM",3,,,,,,,\$,,,,,
 14,2,,104211-11370,, "CAP, VALVE",6,,,,,,,,,,,,,
 15,2,,22351-060012,, "SPRING PIN 6X12",2,,,,,,,,,,,,,
 16,1,,119865-11200,, "SUPPORT ASSY, ROCKER",1,,,,,,,,,,,,,
 17,2,,119810-11240,, "SHAFT, ROCKER ARM",1,,,,,,,,,,,,,
 19,2,,129155-11260,, "SUPPORT, ROCKER ARM",2,,,,,,,,,,,,,
 20,2,,129155-11270,, "SUPPORT, ROCKER ARM",2,,,,,,,,,,,,,
 21,2,,129150-11280,, "SPRING",3,,,,,,,,,,,,,
 22,2,,719865-11650,, "ARM ASSY, ROCKER",6,,,,,,,,,,,,,
 22-1,2,,719810-11650,, "ARM ASSY, ROCKER",6,,,,,,N,,E00659,,,,,
 23,3,,129150-11230,, "SCREW, VALVE",6,,,,,,,,,,,,,
 24,3,,129150-11750,, "NUT M8XP1.0",6,,,,,,,,,,,,,
 25,2,,26226-080182,, "STUD M 8X 18 PLATED",3,,,,,,,,,,,,,
 25A,2,,124060-11800,, "GUIDE, VALVE",6,,,,,,1,,,,,
 26,1,,119625-11870,, "PROTECTOR, NOZZLE",3,,,,,,,\$,,,,,
 27,1,,119625-11880,, "SEAT, NOZZLE",3,,,,,,,\$,,,,,
 28,1,,119625-11900,, "RETAINER",3,,,,,,,,,,,,,
 29,1,,26106-080252,, "BOLT M 8X 25 PLATED",2,,,,,,,,,,,,,
 30,1,,26106-080502,, "BOLT M 8X 50 PLATED",6,,,,,,,,,,,,,
 31,1,,26366-060002,, "NUT M 6",6,,,,,,,,,,,,,
 32,1,,124736-07900,, "LIFTER, ENGINE",2,,,,,,,,,,,,,
 33,1,,26106-080142,, "BOLT M 8X 14 PLATED",4,,,,,,,,,,,,,
 34,1,,119810-11350,, "BONNET ASSY",1,,,,,,W,,E00659,,,,,
 35A,2,,129150-03020,, "COVER, BREATHER",1,,,,,,,,,,,,,
 36,2,,129150-03080,, "PLATE, SHELTER",1,,,,,,,,,,,,,
 37,2,,129150-03070,, "BAFFLE, BREATHER",1,,,,,,,,,,,,,
 38,2,,24341-000500,, "O-RING 1A S-50.0",1,,,,,,,\$,,,,,
 39,2,,26106-080162,, "BOLT M 8X 16 PLATED",2,,,,,,,,,,,,,
 40,2,,124160-01751,, "CAP, LUB.OIL SUPPLY",1,,,,,,,,,,,,,
 41,2,,24311-000320,, "O-RING 1A P-32.0",1,,,,,,,\$,,,,,
 43,2,,119865-11310,, "GASKET, BONNET",1,,,,,,,\$,,,,,
 44,1,,171350-03090,, "PIPE, BREATHER",1,,,,,,,,,,,,,
 45,1,,129150-03100,, "RETAINER",1,,,,,,Z,,EXXX,,,,,
 46,1,,124160-11360,, "KNOB",3,,,,,,,,,,,,,
 47,1,,24311-000120,, "O-RING 1A P 12.0",3,,,,,,,,,,,,,

Fig. 4 シリンダヘッド & ボンネット
CYLINDER HEAD & BONNET

U71350-03120
D21000-07300
D19811-11110
D19810-11210

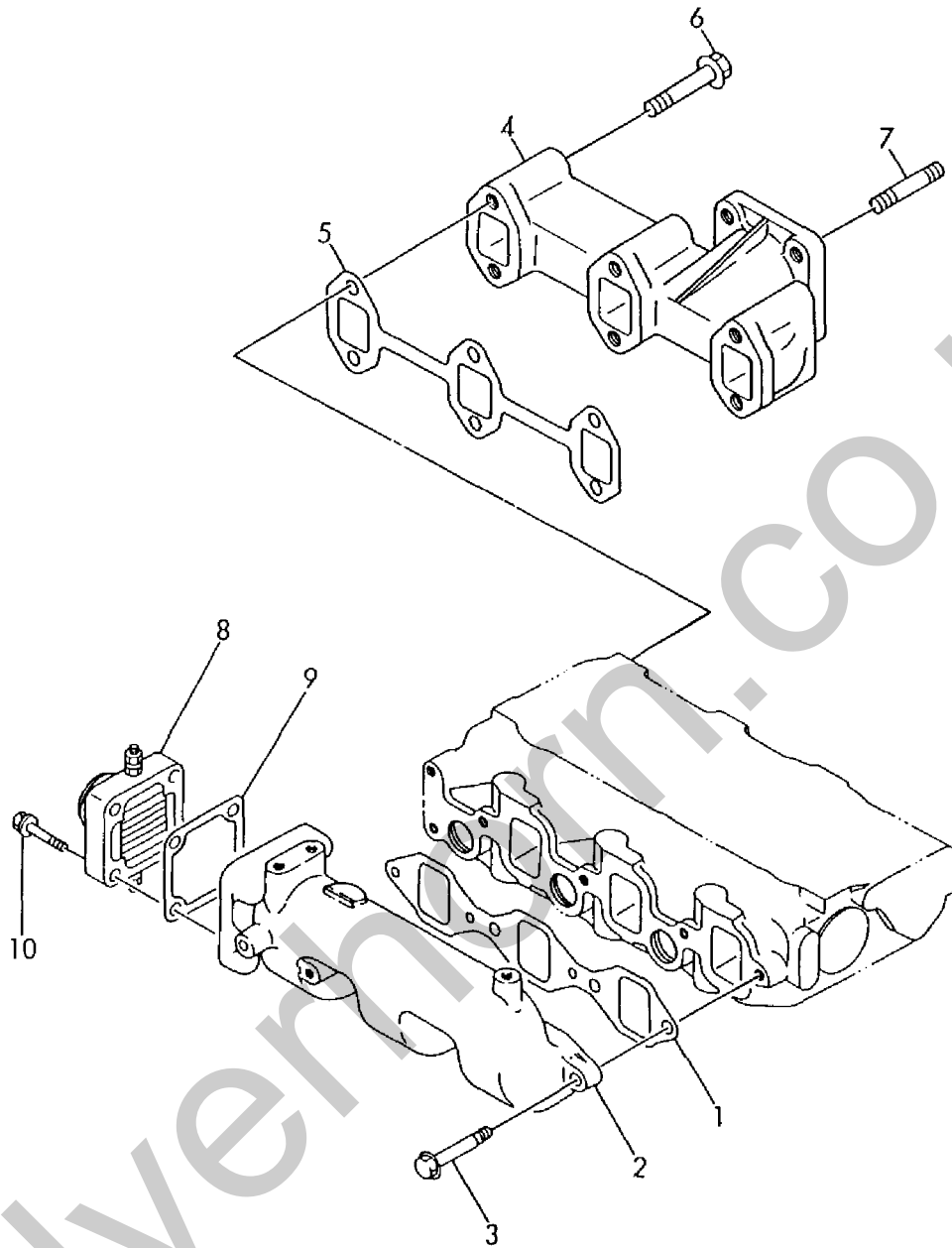


1,1,,119810-12110,, "GASKET, SUC.MANIFOLD",1,,,,,,,,,\$,,,,,,,,,
1-1,1,,119810-12111,, "GASKET, (NON-ASB.)",1,,,,,,,,,N,\$,,E00745,,,,,,,,,
2,1,,171301-12701,, "MANIFOLD, SUCTION",1,,,,,,,,,
3,1,,26106-080252,, "BOLT M 8X 25 PLATED",4,,,,,,,,,
4,1,,119810-13100,, "MANIFOLD, EXHAUST",1,,,,,,,,,
5,1,,119810-13110,, "GASKET, EXH.MANIFOLD",1,,,,,,,,,\$,,,,,,,,,
6,1,,26106-080602,, "BOLT M 8X 60 PLATED",6,,,,,,,,,
7,1,,26216-080222,, "STUD M 8X 22 PLATED",4,,,,,,,,,
8,1,,129120-77501,, "HEATER, AIR",1,,,,,,,,,
9,1,,129150-77510,, "GASKET, AIR HEATER",1,,,,,,,,,\$,,,,,,,,,
9-1,1,,129150-77511,, "GASKET, (NON-ASB.)",1,,,,,,,,,N,\$,,E00745,,,,,,,,,
10,1,,26106-080352,, "BOLT M 8X 35 PLATED",4,,,,,,,,,

Silverhorn.CO.UK

Fig. **5** キュウハイキマニホールド
SUCTION & EXHAUST MANIFOLD

D19840-12200
D19810-13100TK
D29100-77501

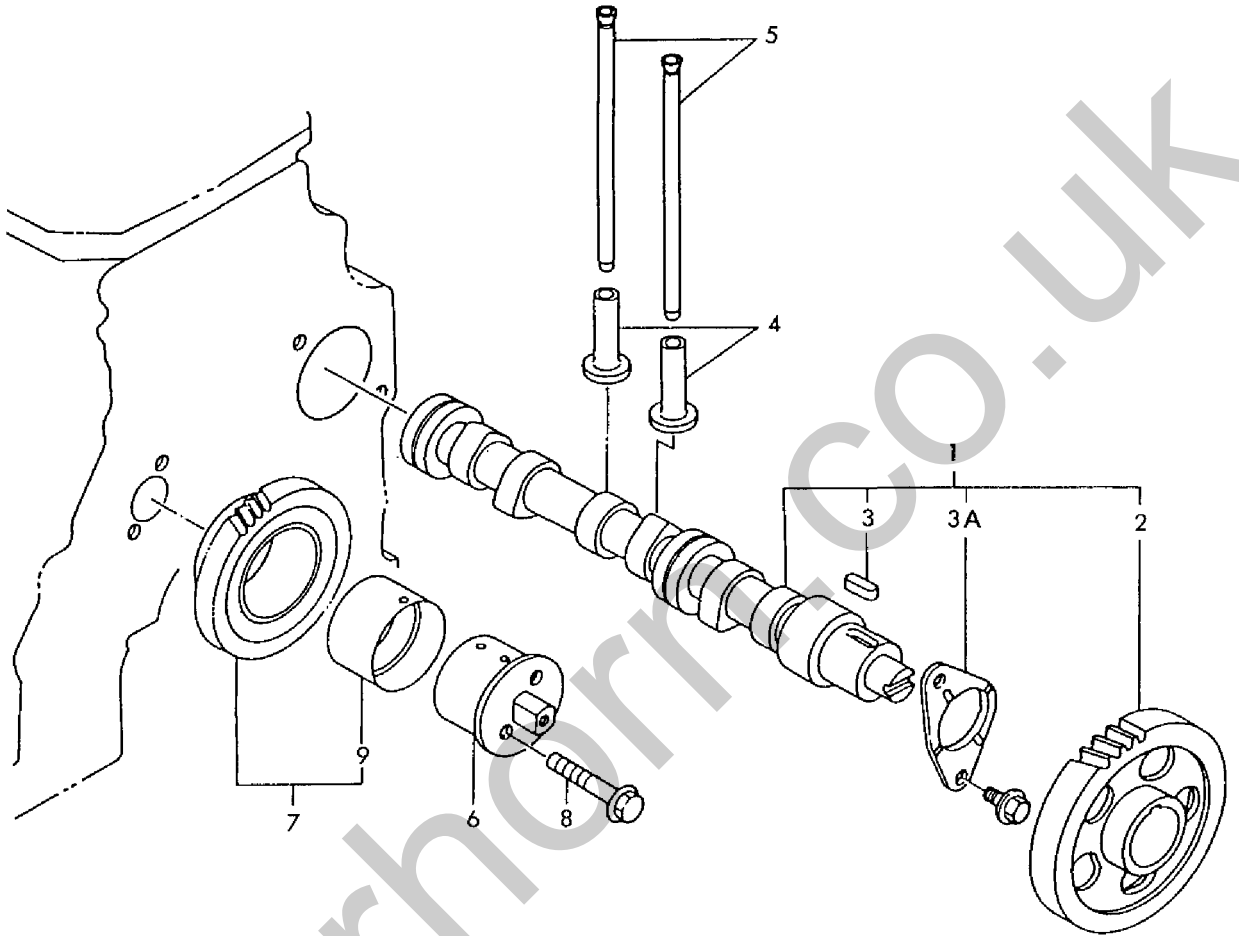


1,1,,119810-14580,, "CAMSHAFT ASSY",1,,,,,W,,E05386,,,,,
2,2,,129150-14101,, "GEAR, CAMSHAFT",1,,,,,
3,2,,22512-070140,, "KEY 7X 14",1,,,,,
3A,2,,129150-02450,, "BEARING, THRUST",1,,,,,W,,EXXX,,,,,
4,1,,129150-14200,, TAPPET,6,,,,,
5,1,,119810-14400,, "ROD, PUSH",6,,,,,
6,1,,129100-25061,, "SHAFT, IDLE GEAR",1,,,,,
7,1,,129150-25101,, "GEAR W/BUSH",1,,,,,
8,1,,26106-080452,, "BOLT M 8X 45 PLATED",2,,,,,
9,1,,129150-25920,, "BUSH, IDLE GEAR",1,,,,,1,,,,,

Silverhorn.CO.UK

Fig. 6 カムシャフト&クドウギヤ
CAMSHAFT & DRIVING GEAR

D19865-14100
D29100-25101



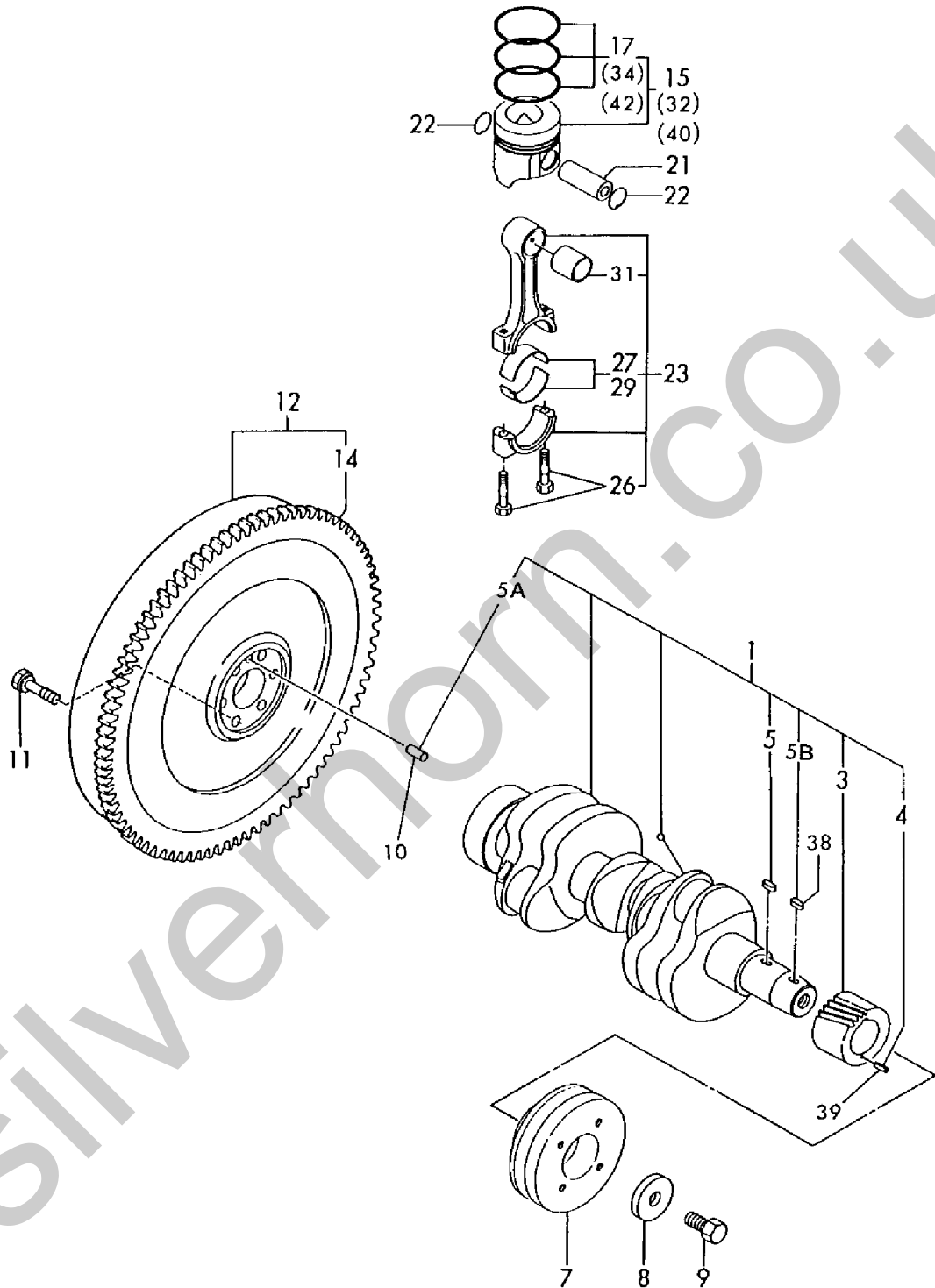
Silverhawk.CO.UK

1,1,,719811-21700,, "CRANKSHAFT ASSY",1,,,,,,,,,,,,,
 1-1,1,,719811-21710,, "CRANKSHAFT ASSY",1,,,,,,N,, E00745,,,,,
 3,2,,129150-21200,, "GEAR, CRANKSHAFT",1,,,,,,,,,,,,,
 4,2,,22351-040010,, "SPRING PIN 4X10",1,,,,,,Z,, EXXX,,,,,
 5,2,,22512-070140,, "KEY 7X 14",1,,,,,,,,,,,,,
 5A,2,,129100-01580,, "PARALLEL PIN 8X 16",1,,,,,,W,, EXXX,,,,,
 5B,2,,22512-070160,, "KEY 7X 16",1,,,,,,W,, EXXX,,,,,
 7,1,,119867-21650,, "V-PULLEY, CRANKSHAFT",1,,,,,,,,,,,,,
 8,1,,129795-21661,, "WASHER",1,,,,,,,,,,,,,
 9,1,,121850-21680,, "BOLT, V-PULLEY",1,,,,,,,,,,,,,
 10,1,,129100-01580,, "PARALLEL PIN 8X 16",1,,,,,,Z,, EXXX,,,,,
 11,1,,121111-21501,, "BOLT, FLYWHEEL",6,,,,,,,,,,,,,
 12,1,,119830-21580,, "FLYWHEEL W/GEAR",1,,,,,,,,,,,,,
 12-1,1,,119830-21581,, "FLYWHEEL W/RING GEAR",1,,,,,,N,, E00237,,,,,
 14,2,,119865-21600,, "GEAR, RING",1,,,,,,,,,,,,,
 15,1,,119811-22080,, "PISTON W/RINGS",3,,,,,,,,,,,,,
 17,2,,729100-22500,, "RING SET",3,,,,,,,,,,,,,
 21,1,,104200-22300,, "PIN, PISTON",3,,,,,,,,,,,,,
 22,1,,129792-22400,, "CIRCLIP 23",6,,,,,,,,,,,,,
 23,1,,719810-23700,, "ROD ASSY, CONNECTING",3,,,,,,,,,,,,,
 23-1,1,,719810-23100,, "ROD ASSY, CONNECTING",3,,,,,,N,, E00659,,,,,
 26,2,,119810-23200,, "BOLT, CONNECTING ROD",6,,,,,,,,,,,,,
 27,2,,719810-23600,, "BEARING, CRANKPIN",3,,,,,,,,,,,,,
 27-1,2,,119810-23600,, "BEARING, CRANKPIN",3,,,,,,N,, E00659,,,,,
 29,1,,119810-23610,, "BEARING, PIN U.S=0.25",3,,,,,,1,,,,,
 31,1,,119810-23910,, "BUSH, PISTON PIN",3,,,,,,2,,,,,
 32,1,,719811-22900,, "PISTON W/RING OS=.25",3,,,,,,3,,,,,
 34,2,,729555-22950,, "RING SET O.S=0.25",3,,,,,,3,,,,,
 38,1,,22512-070160,, "KEY 7X 16",1,,,,,,Z,, E00659,,,,,
 39,1,,22351-040010,, "SPRING PIN 4X10",1,,,,,,W,, EXXX,,,,,
 40,1,,119811-22920,, "PISTON W/RING OS=0.5",3,,,,,,W,4, EXXX,,,,,
 42,2,,129100-22970,, "RING SET O.S=0.5",3,,,,,,W,4, EXXX,,,,,



Fig. 7 クランクシャフト & ピストン
CRANKSHAFT & PISTON

D19811-21110
D19867-21250
D19869-21310
D19811-22100
D19865-23100

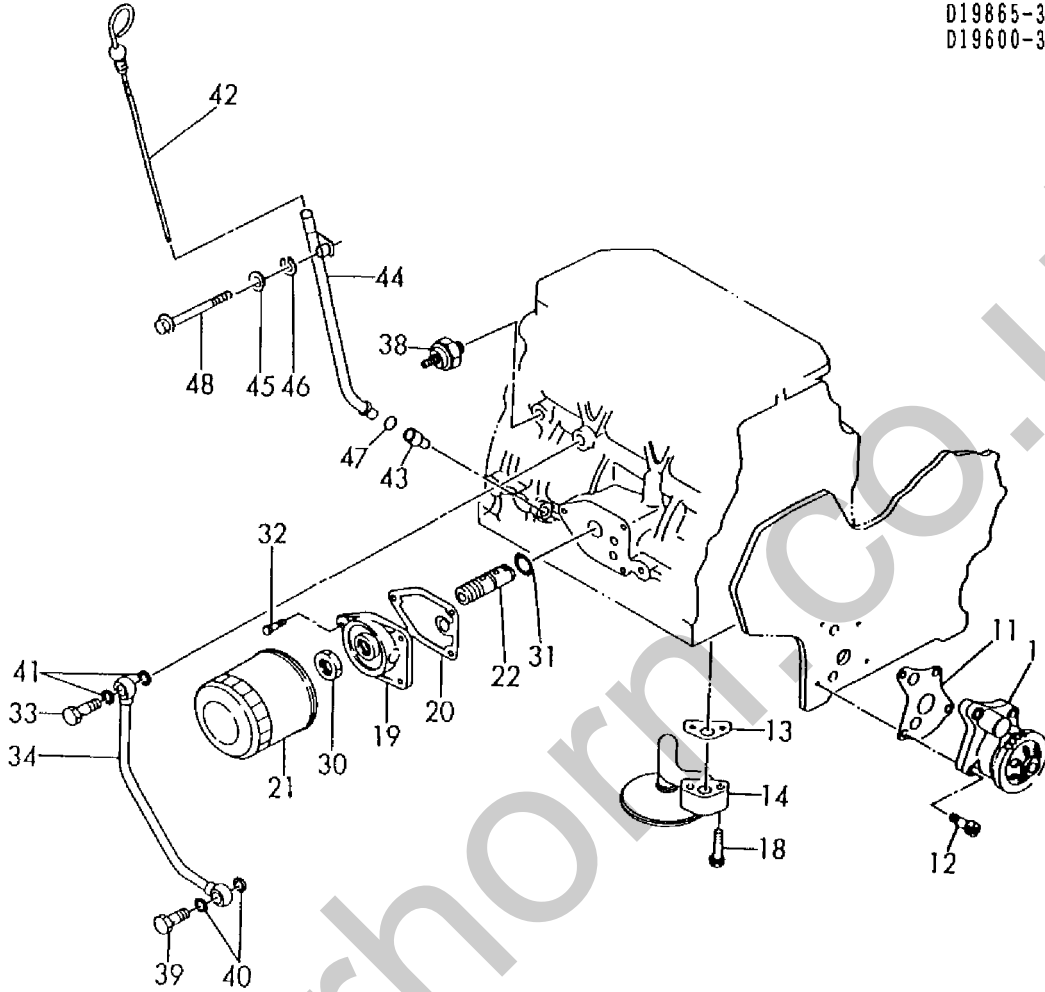


11,1,,129150-32020,, "GASKET, L.O. PUMP",1,,,,,,,,,\$,,,,,,,,,
12,1,,26450-060252,, "BOLT M 6X 25",4,,,,,,,,,
13,1,,129150-35040,, "GASKET, OIL STRAINER",1,,,,,,,,,
13-1,1,,129150-35041,, "GASKET, (NON-ASB.)",1,,,,,N,,,,E00745,,,,,
14,1,,119810-35400,, "PIPE ASSY, OIL INLET",1,,,,,,,,,
18,1,,26116-080352,, "BOLT M 8X 35",2,,,,,,,,,
18-1,1,,26106-080352,, "BOLT M 8X 35 PLATED",2,,,,,N,,,,E00311,,,,,
19,1,,129150-35101,, "BRACKET, STRAINER",1,,,,,,,,,
20,1,,129150-35110,, "GASKET, BRACKET",1,,,,,,,,,\$,,,,,,,,,
20-1,1,,129150-35111,, "GASKET, (NON-ASB.)",1,,,,,N,\$,,E00745,,,,,
21,1,,129150-35150,, "FILTER 90X80L",1,,,,,,,,,
30,1,,129150-35350,, NUT,1,,,,,,,,,
31,1,,24311-000160,, "O-RING 1A P-16.0",1,,,,,,,,,
32,1,,26106-080202,, "BOLT M 8X 20 PLATED",3,,,,,,,,,
33,1,,124160-39140,, "JOINT BOLT 10",1,,,,,,,,,
34,1,,119810-39200,, "PIPE ASSY, LUB. OIL",1,,,,,,,,,
38,1,,124160-39450,, "SWITCH, OIL PRESSURE",1,,,,,,,,,
39,1,,124550-59820,, "BOLT 8, PIPE JOINT",1,,,,,,,,,
40,1,,23414-080000,, "GASKET 8, ROUND",2,,,,,,,,,
40-1,1,,43400-500410,, "SEAL WASHER 8S",2,,,,,N,,,,E03301,,,,,
41,1,,23414-100000,, "GASKET 10, ROUND",2,,,,,,,,,
42,1,,129135-34800,, DIPSTICK,1,,,,,,,,,
43,1,,119260-34810,, "GUIDE, DIPSTICK",1,,,,,,,,,
44,1,,119836-34810,, "GUIDE, DIPSTICK",1,,,,,,,,,
45,1,,22117-080000,, "WASHER 8",1,,,,,,,,,
46,1,,22217-080000,, "SPRING WASHER 8",1,,,,,,,,,
47,1,,24311-240100,, "O-RING 1A P-10A",2,,,,,,,,,
48,1,,26106-081002,, "BOLT M 8X100 PLATED",1,,,,,,,,,



Fig. 8 LOシステム
LUB. OIL SYSTEM

D19865-32100
D19836-34100
D19810-35100
D29100-35200
D19865-39110
D19600-39100

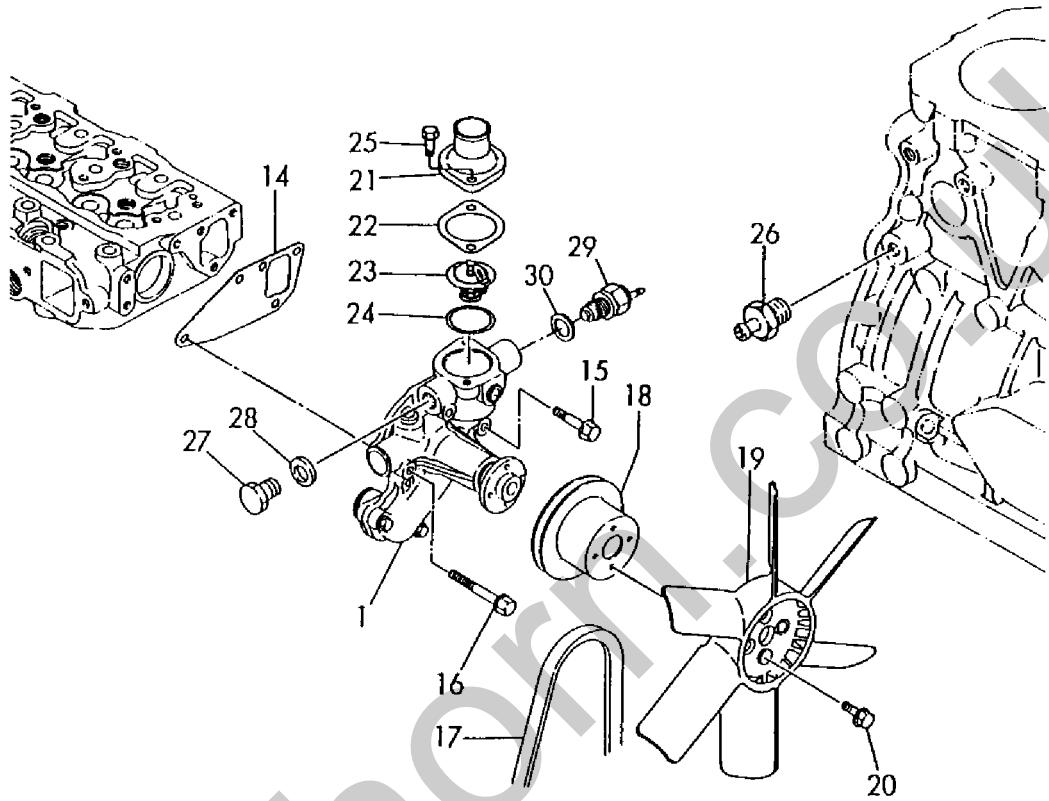


1,1,,119810-42000,, "PUMP ASSY, C. WATER",1,,,,,,,,,,,,,
1-1,1,,119810-42001,, "PUMP ASSY, C. WATER",1,,,,,,N,,E00745,,,,,
14,1,,129150-42020,, "GASKET, C.W. PUMP",1,,,,,,\$,,,,,,
15,1,,26106-080352,, "BOLT M 8X 35 PLATED",1,,,,,,,,,,,,,
16,1,,26106-080552,, "BOLT M 8X 55 PLATED",2,,,,,,,,,,,,,
16-1,1,,26106-080552,, "BOLT M 8X 55 PLATED",3,,,,,,K,,E00659,,,,,
17,1,,121236-42290,, "V-BELT (A-39)",1,,,,,,,,,,,,,
18,1,,129403-42380,, "V-PULLEY, C.W. PUMP",1,,,,,,,,,,,,,
19,1,,119620-44741,, "FAN D310",1,,,,,,,,,,,,,
20,1,,26014-060162,, "BOLT M 6X 16",4,,,,,,,,,,,,,
22,1,,129795-49550,, "GASKET, THERMO.COVER",1,,,,,,\$,,,,,,
22-1,1,,129795-49551,, "GASKET, (NON-ASB.)",1,,,,,,N,\$,E00745,,,,,
24,1,,129150-49810,, "GASKET, THERMOSTAT",1,,,,,,\$,,,,,,
24-1,1,,129150-49811,, "GASKET, (NON-ASB.)",1,,,,,,N,\$,E00745,,,,,
26,1,,121550-49111,, "JOINT PT1/4",1,,,,,,,,,,,,,
27,1,,121450-42450,, "PLUG M16",1,,,,,,,,,,,,,
28,1,,124465-44950,, "GASKET 16",1,,,,,,,,,,,,,
29,1,,124250-49351,, "THERMOMETER",1,,,,,,,,,,,,,
30,1,,129150-49360,, "GASKET 10",1,,,,,,,,,,,,,

Silverhorn.CO.UK

Fig. 9 CWシステム
COOLING WATER SYSTEM

D19810-42100
D19800-42300
D19869-44400
D29150-49200
D19600-49300
D19631-49610



1,1,,129150-25900,, "GEAR, FUEL INJ. PUMP",1,,,,,,,,,,,,,
2,1,,22217-120000,, "WASHER 12, SPRING",1,,,,,,,,,,,,,
3,1,,26716-120002,, "NUT M12",1,,,,,,,,,,,,,
4,1,,719869-51360,, "PUMP ASSY, FUEL I.",1,,,,,,,,,1,,,,,,,,,
5,2,,119810-51040,, CAMSHAFT,1,,,,,,,,,,,,,
6,2,,129155-51050,, "BALL BEARING, THRUST",1,,,,,,,,,,,,,
7,2,,129155-51060,, "RETAINER, BEARING",1,,,,,,,,,,,,,
8,2,,122710-51090,, KEY,1,,,,,,,,,,,,,
9,2,,129400-51100,, "PLUNGER W/BARREL",3,,,,,,,,,,,,,
10,2,,129155-51140,, "PIN, BARREL LOCKING",3,,,,,,,,,,,,,
11,2,,174307-51170,, "RETAINER A",3,,,,,,,,,,,,,
12,2,,129155-51180,, "SPRING SHOE, PLUNGER",3,,,,,,,,,,,,,
13,2,,124950-51190,, "SPRING, PLUNGER",3,,,,,,,,,,,,,
14,2,,129155-51200,, "TAPPET ASSY",3,,,,,,,,,,,,,
18,2,,129155-51270,, "LOCKING, TAPPET",3,,,,,,,,,,,,,
19,2,,129155-51280,, "O-RING S6",3,,,,,,,,,,,,,
20,2,,128170-51300,, "VALVE W/SEAT, DELIV.",3,,,,,,,,,,,,,
20-1,2,,129505-51300,, "VALVE W/SEAT, DELIV.",3,,,,,N,,EXXX,,,,,
21,2,,129155-51320,, "SPRING, DELIV. VALVE",3,,,,,,,,,,,,,
22,2,,129155-51340,, "GUARD, DELIVERY VALVE",3,,,,,,,,,,,,,
23,2,,124550-51350,, "GASKET, DELIVERY",3,,,,,,,,,,,,,
24,2,,124550-51370,, "O-RING, DELIVERY",3,,,,,,,,,,,,,
25,2,,129155-51370,, "STOPPER, VALVE",3,,,,,,,,,,,,,
26,2,,129155-51380,, "LOCKING (A)",2,,,,,,,,,,,,,
27,2,,129155-51390,, "LOCKING (B)",2,,,,,,,,,,,,,
28,2,,129155-51400,, DEFLECTOR,1,,,,,,,,,,,,,
29,2,,129155-51410,, "CHECK BOLT, DEFLECTOR",1,,,,,,,,,,,,,
30,2,,129155-51420,, "PLUG (M16)",1,,,,,,,,,,,,,
31,2,,129155-51450,, "SHIM SET, ADJUSTING",1,,,,,,,,,,,,,
32,2,,129155-51500,, "RACK, CONTROL",1,,,,,,,,,,,,,
33,2,,129155-51521,, "BUSH, RACK",1,,,,,,,,,,,,,
34,2,,129155-51530,, "SPACER, AUX. SPRING",1,,,,,,,,,,,,,
35,2,,129155-51540,, CIRCLIP,1,,,,,,,,,,,,,
36,2,,129155-51550,, "PINION, CONTROL",3,,,,,,,,,,,,,
37,2,,122117-51560,, "SCREW, PINION",3,,,,,,,,,,,,,
38,2,,174307-51560,, PINION,3,,,,,,,,,,,,,
39,2,,129155-51570,, "PLUG (M12)",1,,,,,,,,,,,,,
40,2,,129155-51580,, O-RING,1,,,,,,,,,,,,,
41,2,,129155-51591,, "SPRING, RACK",1,,,,,,,,,,,,,
42,2,,129155-51600,, "SHIM PACK",3,,,,,,,,,,,,,
43,2,,129155-51700,, "COVER, LOWER",1,,,,,,,,,,,,,
44,2,,129155-51710,, "GASKET, LOWER COVER",1,,,,,,,,,,,,,
45,2,,129155-51750,, "COVER, SIDE",1,,,,,,,,,,,,,
46,2,,129155-51760,, "GASKET, SIDE COVER",1,,,,,,,,,,,,,
47,2,,129155-51790,, "LOCKING, RACK",1,,,,,,,,,,,,,
48,2,,129156-51910,, "LABEL, CAUTION",1,,,,,,,,,,,,,
49,2,,129155-51930,, "SPACER T=3.25",1,,,,,,,,,,,,,
50,2,,129155-51940,, "SPACER T=1.5",1,,,,,,,,,,,,,
51,2,,22217-050000,, "SPRING WASHER 5",2,,,,,Z,,EXXX,,,,,
52,2,,22217-060000,, "SPRING WASHER 6",2,,,,,,,,,,,,,
53,2,,22351-050010,, "SPRING PIN 5X10",2,,,,,,,,,,,,,
54,2,,24101-063034,, "BALL BEARING",1,,,,,,,,,,,,,
55,2,,24341-000160,, "O-RING 1A S-16.0",1,,,,,,,,,,,,,
56,2,,26022-050102,, "SCREW M 5X 10",8,,,,,,,,,,,,,
57,2,,26022-060162,, "SCREW M 6X 16",4,,,,,,,,,,,,,
58,2,,26116-050302,, "BOLT M 5X 30 PLATED",2,,,,,,,,,,,,,
59,2,,129155-51020,, "STUD, FEED PUMP",2,,,,,,,,,,,,,
60,2,,26716-060002,, "NUT M 6",2,,,,,,,,,,,,,
61,2,,43400-500490,, "SEAL WASHER 16S",1,,,,,,,,,,,,,
62,2,,129155-52050,, GASKET,1,,,,,,,,,,,,,
63,2,,129100-52200,, "COVER, BLIND",1,,,,,,,,,,,,,

1,1,,729500-53200,, "VALVE ASSY, F.INJECT",3,,,,,,,,,,,,,,,,,,,,,
2,2,,129500-53050,, "NOZZLE ASSY,F.INJECT",3,,,,,,,,,,,,,,,,,,,,,
3,2,,114250-53080,, "NUT, NOZZLE CASE",3,,,,,,,,,,,,,,,,,,,,,
4,2,,129100-53100,, "HOLDER ASSY, NOZZLE",3,,,,,,,,,,,,,,,,,,,,,
5,2,,114250-53120,, "SPRING, NOZZLE",3,,,,,,,,,,,,,,,,,,,,,
6,2,,114250-53130,, "SEAT, NOZZLE SPRING",3,,,,,,,,,,,,,,,,,,,,,
7,2,,114250-53140,, "PLATE, STOP",3,,,,,,,,,,,,,,,,,,,,,
8,2,,114250-53210,, PIN,6,,,,,,,,,,,,,,,,,,,,,
9,2,,114250-53400,, "SHIM PACK",3,,,,,,,,,,,,,,,,,,,,,
10,1,,129150-59120,, "RETAINER, INJ. PIPE",1,,,,,,,,,,,,,,,,,,,,,
11,2,,129150-59130,, "BOLT M 4X 12",2,,,,,,,,,,,,,,,,,,,,,
13,1,,119810-59810,, "PIPE, FUEL INJECTION",1,,,,,,,,,,,,,,,,,,,,,
14,1,,119810-59820,, "PIPE, FUEL INJECTION",1,,,,,,,,,,,,,,,,,,,,,
15,1,,119810-59830,, "PIPE, FUEL INJECTION",1,,,,,,,,,,,,,,,,,,,,,

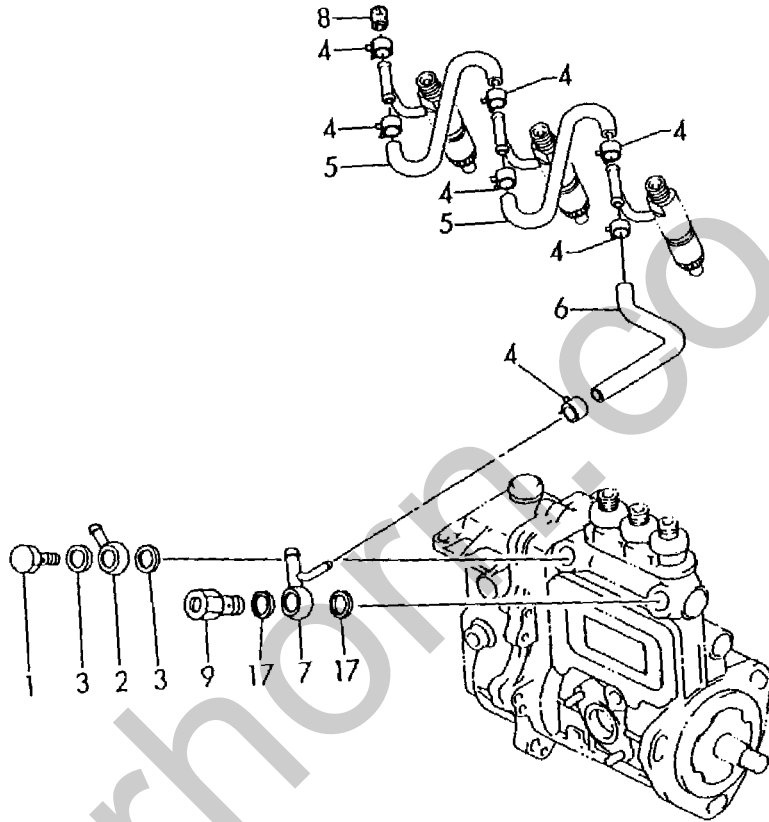
Silverhorn.CO.UK

1,1,,103854-39140,, "BOLT, PIPE JOINT",1,,,,,,,,,,,,,
2,1,,101304-59020,, "JOINT 12, PIPE",1,,,,,,,,,,,,,
3,1,,104200-59170,, "GASKET 12",2,,,,,,,,,,,,,
4,1,,124066-59100,, "CLAMP 8",7,,,,,,,,,,,,,
5,1,,121250-59550,, "PIPE, FUEL",2,,,,,,,,,,,,,
6,1,,119840-59560,, "PIPE, FUEL RETURN",1,,,,,,,,,,,,,
7,1,,119840-59570,, "JOINT",1,,,,,,,,,,,,,
8,1,,129150-59580,, "CAP",1,,,,,,,,,,,,,
9,1,,129100-59951,, "VALVE ASSY, CHECK",1,,,,,,,,,,,,,
17,1,,23414-120000,, "GASKET 12, ROUND",2,,,,,,,,,,,,,

Silverhorn.CO.UK

Fig. 12 FOパイプ
FUEL LINE

D29131-59200
D19867-59310



Silverhobby.com.uk

2,1,,129155-51280,, "O-RING S6",2,,,,,,,,,,,,,,,,,
4,1,,129155-61050,, "GASKET, GOV. CASE",1,,,,,,,,,,,,,
5,1,,129155-61060,, "COVER, GOVERNOR CASE",1,,,,,,,,,,,,,
6,1,,129155-61070,, "GASKET, CASE COVER",1,,,,,,,,,,,,,
7,1,,129155-61120,, "LINK L=30(MARK 0",1,,,,,1,,,,,
8,1,,129155-61130,, "LINK L=31(MARK 1",1,,,,,1,,,,,
9,1,,129155-61140,, "LINK L=30.5(MARK 05)",1,,,,,1,,,,,
9A,1,,129155-61150,, "LINK L=33(MARK 3",1,,,,,W,1,EXXX,,,,,
9A-1,1,,129155-61150,, "LINK L=33(MARK 3",1,,,,,Z,EXXX,,,,,
9B,1,,129155-61160,, "LINK L=34(MARK 4",1,,,,,W,1,EXXX,,,,,
9B-1,1,,129155-61160,, "LINK L=34(MARK 4",1,,,,,Z,EXXX,,,,,
9C,1,,129155-61170,, "LINK L=28(MARK 8",1,,,,,W,1,EXXX,,,,,
9C-1,1,,129155-61170,, "LINK L=28(MARK 8",1,,,,,Z,EXXX,,,,,
9D,1,,129155-61180,, "LINK L=29(MARK 9",1,,,,,W,1,EXXX,,,,,
9D-1,1,,129155-61180,, "LINK L=29(MARK 9",1,,,,,Z,EXXX,,,,,
10,1,,129155-61201,, "WEIGHT ASSY, GOV.",1,,,,,,,,,,,,,
14,1,,129155-61341,, "SLEEVE",1,,,,,,,,,,,,,
14A,1,,129155-61350,, "SLEEVE",1,,,,,W,EXXX,,,,,
14B,1,,129155-61360,, "SLEEVE",1,,,,,W,EXXX,,,,,
15,1,,129100-61400,, "SHAFT ASSY, CONTROL",1,,,,,,,,,,,,,
18,1,,129155-61430,, "SPACER, SHAFT",1,,,,,,,,,,,,,
22,1,,129100-61440,, "LEVER, CONTROL",1,,,,,,,,,,,,,
23,1,,129100-61450,, "TORQUE SPRING ASSY",1,,,,,,,,,,,,,
29,1,,129155-61450,, "BOLT, REVOL. LIMIT",1,,,,,,,,,,,,,
30,1,,129155-61460,, "BOLT, IDLE LIMIT",1,,,,,,,,,,,,,
31,1,,129155-61480,, "SPACER ASSY",2,,,,,,,,,,,,,
36,1,,129155-61490,, "SHAFT, GOV. LEVER",1,,,,,,,,,,,,,
37,1,,129500-61500,, "LEVER ASSY, GOVERNOR",1,,,,,,,,,,,,,
37-1,1,,129500-61501,, "LEVER ASSY, GOVERNOR",1,,,,,N,,E06617,,,,,
38,2,,174307-51700,, "SHIM SET",2,,,,,,,,,,,,,
55,1,,129155-61540,, "SHIFTER",1,,,,,,,,,,,,,
56,1,,129100-61650,, "SPRING, FUEL CONTROL",1,,,,,,,,,,,,,
57,1,,171353-61710,, "SPRING, GOVERNOR",1,,,,,,,,,,,,,
58,1,,129255-61802,, "LEVER, STOP",1,,,,,,,,,,,,,
59,1,,129155-61810,, "PIN, STOP LEVER",1,,,,,,,,,,,,,
60,1,,129100-61821,, "SPRING, RETURN",1,,,,,,,,,,,,,
61,1,,129155-61830,, "O-RING S10",1,,,,,,,,,,,,,
62,1,,129155-61950,, "BOLT, WASHER BASED",1,,,,,,,,,,,,,
63,1,,124550-66370,, "LOCK NUT M 6",1,,,,,,,,,,,,,
64,1,,22117-040000,, "WASHER 4",1,,,,,,,,,,,,,
65,1,,22190-100000,, "SEAL WASHER 10(BOLT)",1,,,,,,,,,,,,,
65-1,1,,43400-500430,, "SEAL WASHER 10S",1,,,,,R,,E00311,,,,,
66,1,,22217-050000,, "SPRING WASHER 5",1,,,,,Z,EXXX,,,,,
67,1,,22272-000040,, "CIRCLIP E- 4",1,,,,,,,,,,,,,
68,1,,22272-000060,, "CIRCLIP E- 6",2,,,,,,,,,,,,,
69,1,,22287-120000,, "WASHER 12",1,,,,,,,,,,,,,
70,1,,22351-030016,, "SPRING PIN 3X16",1,,,,,,,,,,,,,
71,1,,22360-040000,, "SNAP PIN 4",2,,,,,,,,,,,,,
71-1,1,,22372-040000,, "SNAP PIN 4",2,,,,,R,,E03301,,,,,
72,1,,23414-050000,, "GASKET 5",1,,,,,,,,,,,,,
72-1,1,,43400-500390,, "SEAL WASHER 6S",1,,,,,N,,E00311,,,,,
73,1,,23887-100002,, "PLUG 10",1,,,,,,,,,,,,,
74,1,,24311-000080,, "O-RING 1A P-8.0",1,,,,,,,,,,,,,
74-1,1,,24311-240100,, "O-RING 1A P-10A",1,,,,,N,,EXXX,,,,,
75,1,,26022-050102,, "SCREW M 5X 10",4,,,,,,,,,,,,,
75-1,1,,26022-050102,, "SCREW M 5X 10",2,,,,,K,,E06617,,,,,
75A,1,,26023-050102,, "SCREW M 5X 10",2,,,,,W,,E06617,,,,,
76,1,,26106-060202,, "BOLT M 6X 20 PLATED",6,,,,,,,,,,,,,
77,1,,26366-080002,, "NUT M 8",1,,,,,,,,,,,,,
78,1,,26687-120002,, "CAP NUT M12",1,,,,,,,,,,,,,
79,1,,26756-060002,, "LOCK NUT M 6 PLATED",1,,,,,,,,,,,,,
80,1,,26776-120002,, "LOCK NUT M12 PLATED",2,,,,,,,,,,,,,
81,1,,43400-500450,, "SEAL WASHER 12S",2,,,,,,,,,,,,,

82,1,,135210-61090,,LEAD,1,,,,,,,,,,,,,
83,1,,22451-060000,, "WIRE 0.6",1,,,,,,,,,,,,,

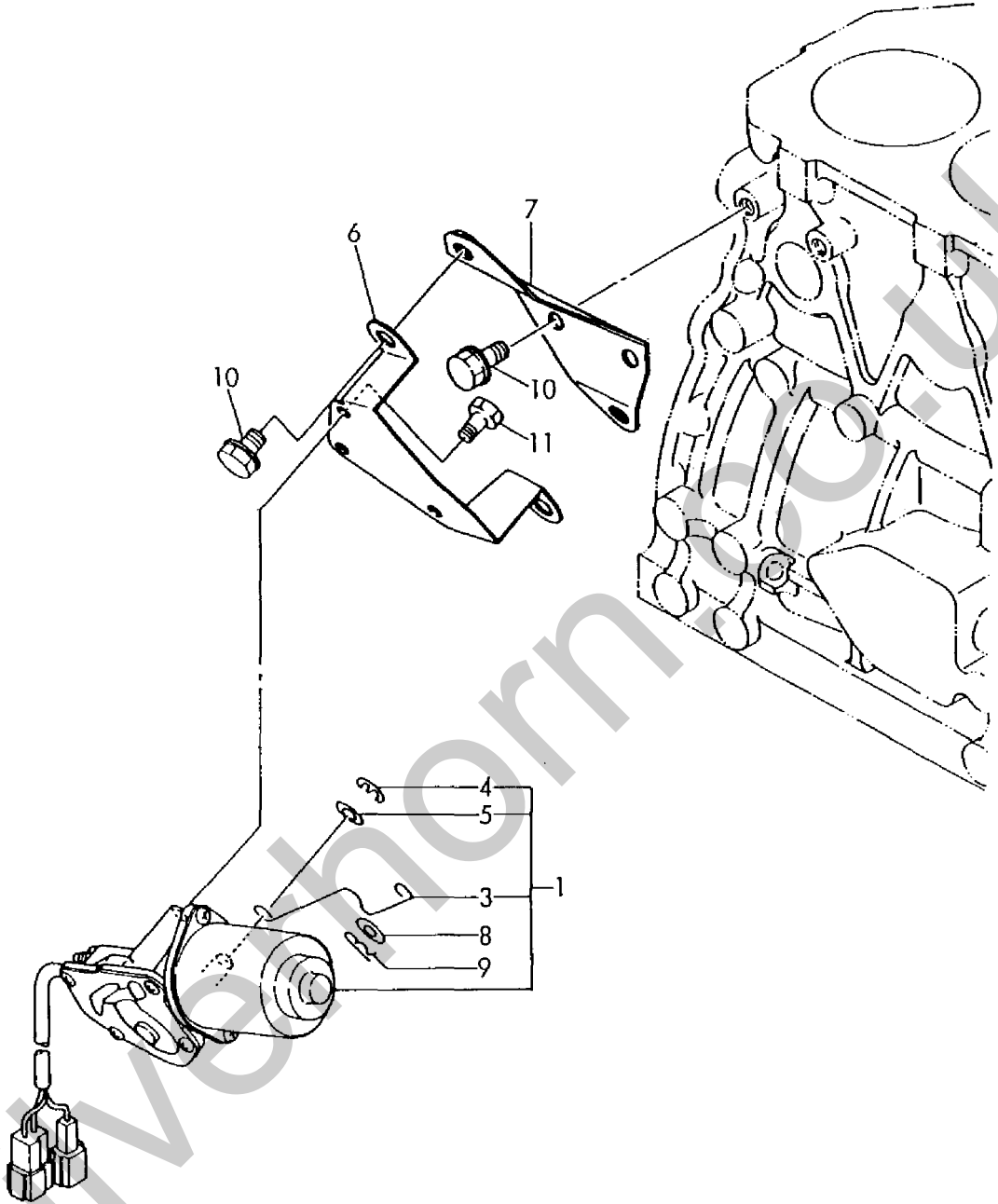
Silverhorn.CO.UK

1,1,,119840-66791,, "MOTOR ASSY, STOP",1,,,,,,,,,,,,,
3,2,,119840-66830,, "SPRING, STOP MOTOR",1,,,,,,,,,,,,,
4,2,,129566-66880,, "RING, SNAP",1,,,,,,,,,,,,,
5,2,,129566-66890,, "WASHER",1,,,,,,,,,,,,,
6,1,,119840-66810,, "BRACKET, STOP MOTOR",1,,,,,,,,,,,,,
7,1,,119856-66811,, "BRACKET, STOP MOTOR",1,,,,,,,,,,,,,
8,1,,22117-080000,, "WASHER 8",1,,,,,,,,,,,,,
9,1,,22360-080000,, "SNAP PIN 8",1,,,,,,,,,,,,,
10,1,,26106-080122,, "BOLT M 8X 12 PLATED",4,,,,,,,,,,,,,
11,1,,26116-050102,, "BOLT M 5X 10 PLATED",3,,,,,,,,,,,,,

Silverhorn.CO.UK

Fig. **14** エンジンストップ
ENGINE STOP

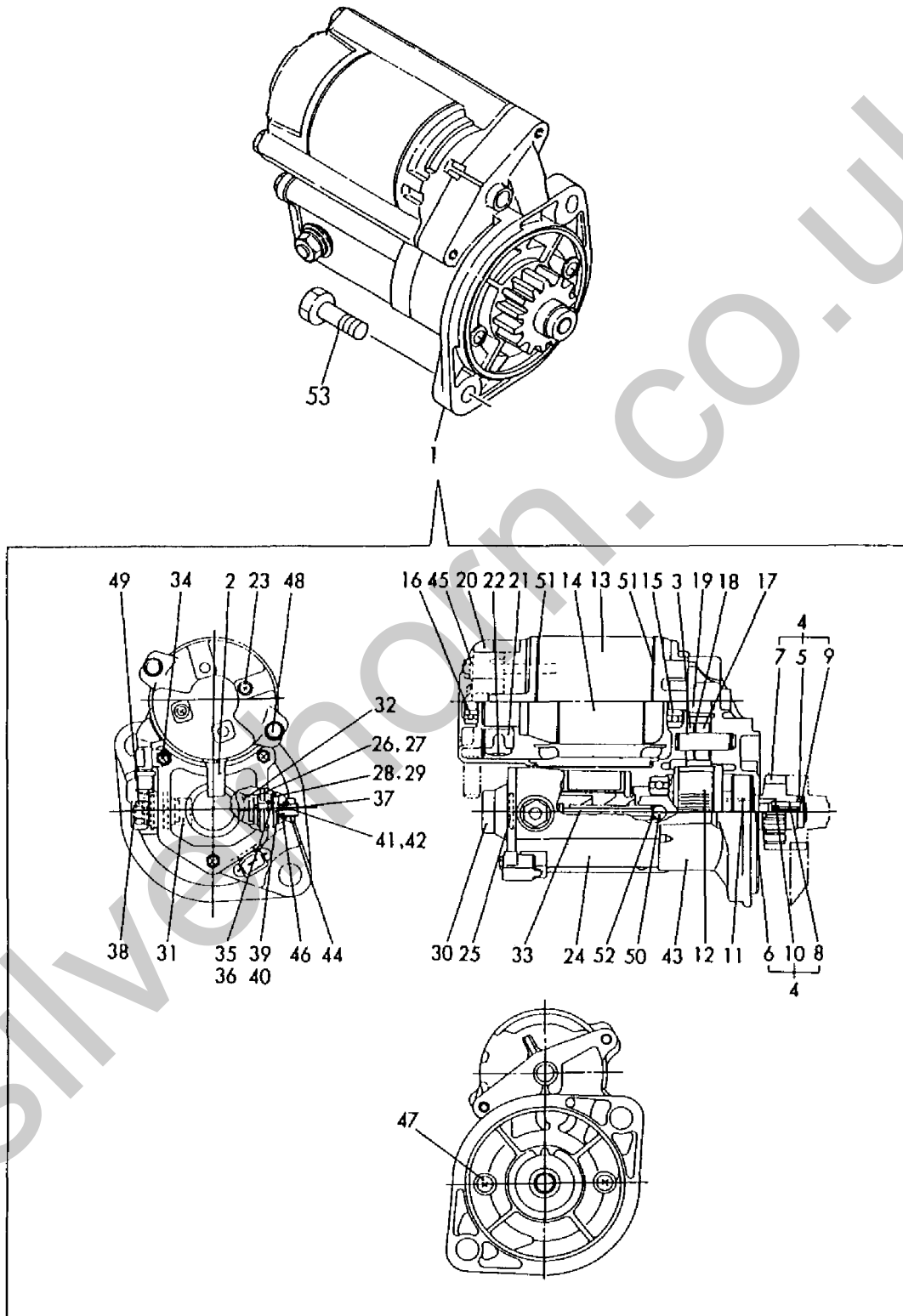
D19840-66500



1,1,,121120-77011,,STARTER,1,,,,,,,,,,,,,
2,2,,X0280620480,,COVER,1,,,,,,,,,,,,,
3,2,,X0280630011,,RETAINER,1,,,,,,,,,,,,,
4,2,,X0280992381,, "CLUTCH KIT",1,,,,,,,,,,,,,
5,3,,X0280210230,,NUT,1,,,,,,,,,,,,,
6,3,,X0283270140,,RETAINER,1,,,,,,,,,,,,,
7,3,,X0283711770,,PINION,1,,,,,,,,,,,,,
8,3,,X0283810040,,SHAFT,1,,,,,,,,,,,,,
9,3,,X9490721080,,RING,1,,,,,,,,,,,,,
10,3,,X9491703371,, "SPRING, COIL",1,,,,,,,,,,,,,
11,3,,X9491704260,,SPRING,1,,,,,,,,,,,,,
12,3,,121120-77930,, "CLUTCH ASSY, STARTER",1,,,,,,,,,,,,,
13,2,,X0281003770,, "YOKE ASSY",1,,,,,,,,,,,,,
14,2,,X0282002320,, "HOUSING ASSY",1,,,,,,,,,,,,,
15,3,,X9491002590,, "BALL BEARING",1,,,,,,,,,,,,,
16,3,,X9491002760,, "BALL BEARING",1,,,,,,,,,,,,,
17,2,,X0283060061,,ROLLER,5,,,,,,,,,,,,,
18,2,,X0283711420,,PINION,1,,,,,,,,,,,,,
19,2,,X0283712360,,PINION,1,,,,,,,,,,,,,
20,2,,X0285011600,,FRAME,1,,,,,,,,,,,,,
21,2,,X0285100750,, "HOLDER ASSY, BRUSH",1,,,,,,,,,,,,,
22,3,,X9491730461,,SPRING,1,,,,,,,,,,,,,
23,2,,X0289030010,,SCREW,2,,,,,,,,,,,,,
24,2,,X0534006470,, "SWITCH ASSY, MAGNET.",1,,,,,,,,,,,,,
25,3,,X0534040320,,GASKET,1,,,,,,,,,,,,,
26,3,,X0534490120,,BUSH,1,,,,,,,,,,,,,
27,3,,X0534490120,,BUSH,1,,,,,,,,,,,,,
28,3,,X0534490230,,BUSH,1,,,,,,,,,,,,,
29,3,,X0534490230,,BUSH,1,,,,,,,,,,,,,
30,3,,X0535050620,,COVER,1,,,,,,,,,,,,,
31,3,,X0535130241,, "PLATE (B)",1,,,,,,,,,,,,,
32,3,,X0535130320,, "PLATE (A)",1,,,,,,,,,,,,,
33,3,,X0536600401,,PLUNGER,1,,,,,,,,,,,,,
34,3,,X9151005141,, "BOLT W/WASHER",3,,,,,,,,,,,,,
35,3,,X9490170900,,WASHER,1,,,,,,,,,,,,,
36,3,,X9490170900,,WASHER,1,,,,,,,,,,,,,
37,3,,X9490441303,,BOLT,1,,,,,,,,,,,,,
38,3,,X9490441312,,BOLT,1,,,,,,,,,,,,,
39,3,,X9490502820,,NUT,1,,,,,,,,,,,,,
40,3,,X9490502820,,NUT,1,,,,,,,,,,,,,
41,3,,X9491402100,,O-RING,1,,,,,,,,,,,,,
42,3,,X9491402100,,O-RING,1,,,,,,,,,,,,,
43,2,,X1284000710,,HOUSING,1,,,,,,,,,,,,,
44,2,,X9019008651,,NUT,1,,,,,,,,,,,,,
45,2,,X9025806001,,WASHER,2,,,,,,,,,,,,,
46,2,,X9025808001,,WASHER,1,,,,,,,,,,,,,
47,2,,X9490071970,, "SCREW W/WASHER",2,,,,,,,,,,,,,
48,2,,X9490422570,,BOLT,2,,,,,,,,,,,,,
49,2,,X9490561370,,NUT,1,,,,,,,,,,,,,
50,2,,X9491200240,,BALL,1,,,,,,,,,,,,,
51,2,,X9491403700,,O-RING,2,,,,,,,,,,,,,
52,2,,X9491703380,,SPRING,1,,,,,,,,,,,,,
53,1,,26116-120252,, "BOLT M12X 25 PLATED",2,,,,,,,,,,,,,

Fig. 15 スタートイングモータ
STARTING MOTOR

U71352-77100

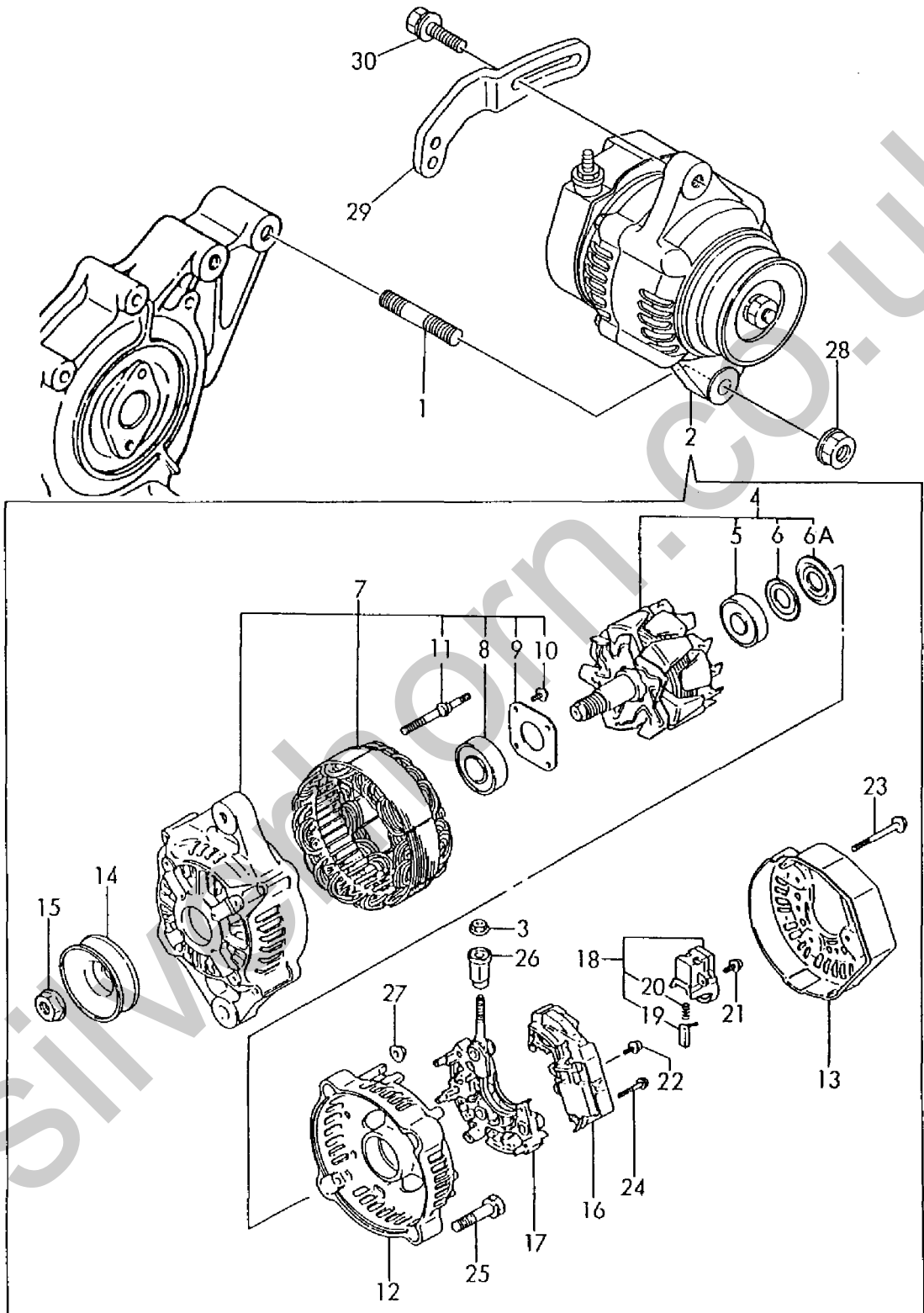


1,1,,121450-01570,,STUD,1,,,,,,,,,,,,,,,,,,,,,
2,1,,119620-77201,,GENERATOR,1,,,,,,,,,,,,,,,,,,,,,
3,2,,X9490561001,,NUT,1,,,,,,,,,,,,,,,,,,,,,
4,2,,119620-77380,, "ROTOR ASSY",1,,,,,,,,,,,,,,,,,,,,,
5,3,,119620-79240,, "BALL BEARING",1,,,,,,,,,,,,,,,,,,,,,
6,3,,119620-79250,, "COVER, BEARING",1,,,,,,,,,,,,,,,,,,,,,
6A,3,,119620-79360,, "THRUST WASHER",1,,,,,W,,E00265,,,,,
7,2,,119620-77420,, "FLAME ASSY, DRIVE",1,,,,,,,,,,,,,,,,,,,,,
8,3,,119620-79200,, "BALL BEARING",1,,,,,,,,,,,,,,,,,,,,,
9,3,,119620-79210,,PLATE,1,,,,,,,,,,,,,,,,,,,,,
10,3,,119620-79220,,SCREW,4,,,,,,,,,,,,,,,,,,,,,
11,3,,119620-79230,, "BOLT, STUD",2,,,,,,,,,,,,,,,,,,,,,
12,2,,119620-77440,, "FLAME ASSY, REAR",1,,,,,,,,,,,,,,,,,,,,,
13,2,,119620-77450,,COVER,1,,,,,,,,,,,,,,,,,,,,,
14,2,,119620-77460,, "PULLEY,CRANKSHAFT",1,,,,,,,,,,,,,,,,,,,,,
15,2,,119620-77470,,NUT,1,,,,,,,,,,,,,,,,,,,,,
16,2,,119620-77710,, "REGULATOR ASSY",1,,,,,,,,,,,,,,,,,,,,,
17,2,,119620-79260,,HOLDER,1,,,,,,,,,,,,,,,,,,,,,
18,2,,119620-79270,, "HOLDER, BRUSH",1,,,,,,,,,,,,,,,,,,,,,
19,3,,119620-77480,, "BRUSH ASSY",2,,,,,,,,,,,,,,,,,,,,,
20,3,,119620-79280,,SPRING,2,,,,,,,,,,,,,,,,,,,,,
21,2,,119620-79290,,SCREW,6,,,,,,,,,,,,,,,,,,,,,
22,2,,119620-79300,,SCREW,1,,,,,,,,,,,,,,,,,,,,,
23,2,,119620-79310,,BOLT,3,,,,,,,,,,,,,,,,,,,,,
24,2,,119620-79320,, "SCREW W/WASHER",2,,,,,,,,,,,,,,,,,,,,,
25,2,,119620-79330,,BOLT,2,,,,,,,,,,,,,,,,,,,,,
26,2,,119620-79340,, "INSULATION BUSH",1,,,,,,,,,,,,,,,,,,,,,
27,2,,119620-79350,,NUT,2,,,,,,,,,,,,,,,,,,,,,
28,1,,26366-100002,, "NUT M10",1,,,,,,,,,,,,,,,,,,,,,
30,1,,26014-080252,, "BOLT M 8X 25",1,,,,,,,,,,,,,,,,,,,,,



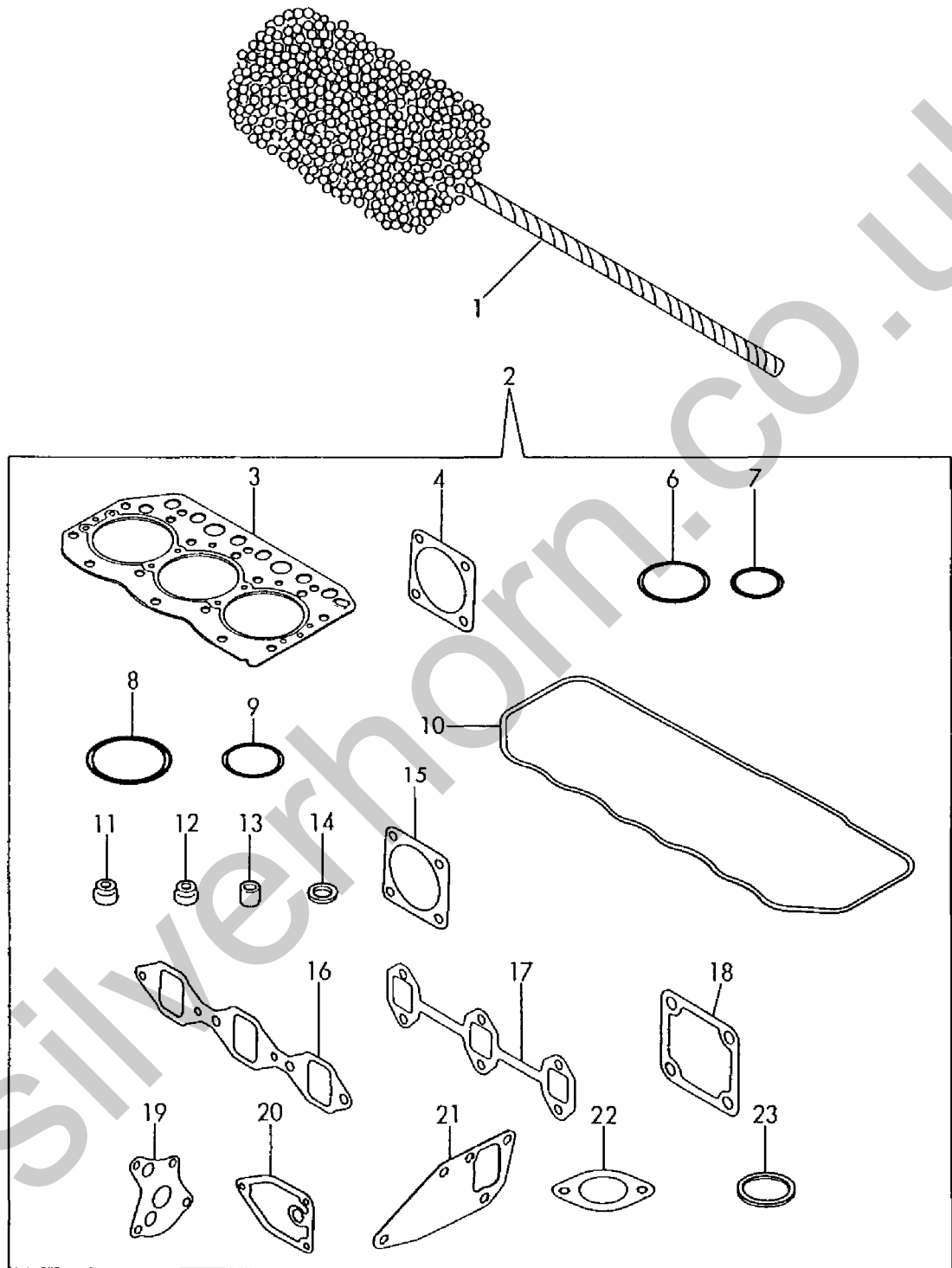
Fig. 16 ジェネレータ GENERATOR

D29128-77200
D19810-77310



1,1,,129400-92410,, "FLEX HORN",1,,,,,1,,,,,
2,1,,719843-92600,, "GASKET SET",1,,,,,
2-1,1,,719843-92601,, "GASKET SET",1,,,,,N,,EXXX,,,,,
3,2,,119811-01330,, "GASKET,CYL.HEAD",1,,,,,
4,2,,124240-01882,, "GASKET, HO-P",1,,,,,
4-1,2,,124240-01883,, "GASKET, (NON-ASB.)",1,,,,,N,,E00311,,,,,
6,2,,121850-51960,, "O-RING, F.I.PUMP",1,,,,,
7,2,,24311-000320,, "O-RING 1A P-32.0",1,,,,,
8,2,,24341-000500,, "O-RING 1A S-50.0",1,,,,,
9,2,,24311-000320,, "O-RING 1A P-32.0",1,,,,,
10,2,,119865-11310,, "GASKET, BONNET",1,,,,,
11,2,,124160-11340,, "SEAL, VALVE STEM",3,,,,,
12,2,,129450-11340,, "SEAL, VALVE STEM",3,,,,,
13,2,,119625-11870,, "PROTECTOR, NOZZLE",3,,,,,
14,2,,119625-11880,, "SEAT, NOZZLE",3,,,,,
15,2,,124701-11910,, "GASKET, SILENCER",1,,,,,Z,,EXXX,,,,,
16,2,,119810-12110,, "GASKET, SUC.MANIFOLD",1,,,,,
16-1,2,,119810-12111,, "GASKET, (NON-ASB.)",1,,,,,N,,E00745,,,,,
17,2,,119810-13110,, "GASKET, EXH.MANIFOLD",1,,,,,
18,2,,129150-77510,, "GASKET, AIR HEATER",1,,,,,
18-1,2,,129150-77511,, "GASKET, (NON-ASB.)",1,,,,,N,,E00745,,,,,
19,2,,129150-32020,, "GASKET, L.O. PUMP",1,,,,,
20,2,,129150-35110,, "GASKET, BRACKET",1,,,,,
20-1,2,,129150-35111,, "GASKET, (NON-ASB.)",1,,,,,N,,E00745,,,,,
21,2,,129150-42020,, "GASKET, C.W. PUMP",1,,,,,
22,2,,129795-49550,, "GASKET, THERMO.COVER",1,,,,,
22-1,2,,129795-49551,, "GASKET, (NON-ASB.)",1,,,,,N,,E00745,,,,,
23,2,,129150-49810,, "GASKET, THERMOSTAT",1,,,,,
23-1,2,,129150-49811,, "GASKET, (NON-ASB.)",1,,,,,N,,E00745,,,,,

Fig. 17 コウゲ&パッキンセット
TOOL & GASKET SET



0,Y00B4192
1,001,, "ENGINE 3TNC78L-RKAH"
2,1,, "CYLINDER BLOCK",3TNC78L-RKAH,,,
2,2,, "GEAR HOUSING",3TNC78L-RKAH,,,
2,3,, "FLYWHEEL HOUSING & OIL SUMP",3TNC78L-RKAH,,,
2,4,, "CYLINDER HEAD & BONNET",3TNC78L-RKAH,,,
2,5,, "MANIFOLD(SUCTION & EXHAUST)",3TNC78L-RKAH,,,
2,6,, "CAMSHAFT & DRIVE GEAR",3TNC78L-RKAH,,,
2,7,, "CRANKSHAFT & PISTON",3TNC78L-RKAH,,,
2,8,, "LUB. OIL SYSTEM",3TNC78L-RKAH,,,
2,9,, "COOLING WATER SYSTEM",3TNC78L-RKAH,,,
2,10,, "FUEL INJECTION PUMP",3TNC78L-RKAH,,,
2,11,, "FUEL INJECTION DEVICE",3TNC78L-RKAH,,,
2,12,, "FUEL OIL PIPES",3TNC78L-RKAH,,,
2,13,, "GOVERNOR",3TNC78L-RKAH,,,
2,14,, "ENGINE STOPPING DEVICE",3TNC78L-RKAH,,,
2,15,, "STARTING MOTOR",3TNC78L-RKAH,,,
2,16,, "GENERATOR",3TNC78L-RKAH,,,
2,17,, "TOOLS & GASKET SET",3TNC78L-RKAH,,,

Silverhorn.CO.UK